

# CVI Measurements in ICE-L

4 June 2007



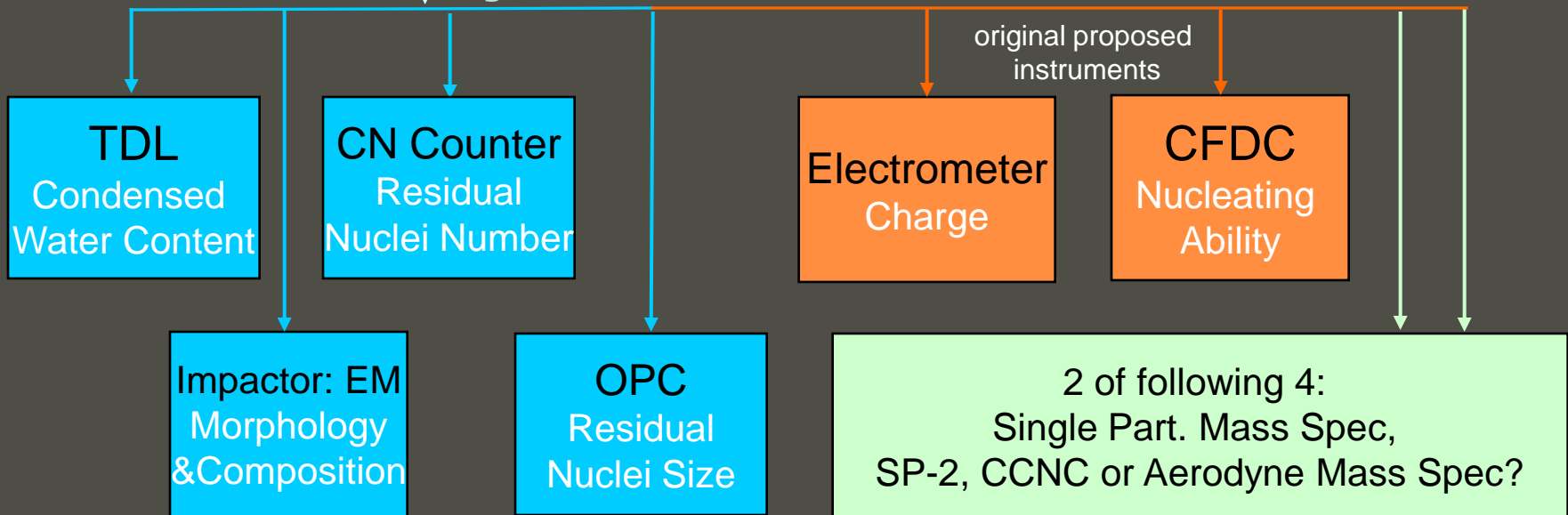
# Possible Configuration for ICE-L

4 instruments are part of basic CVI system; up to 4 additional instruments can be located behind the CVI to measure drop/ice crystal residuals

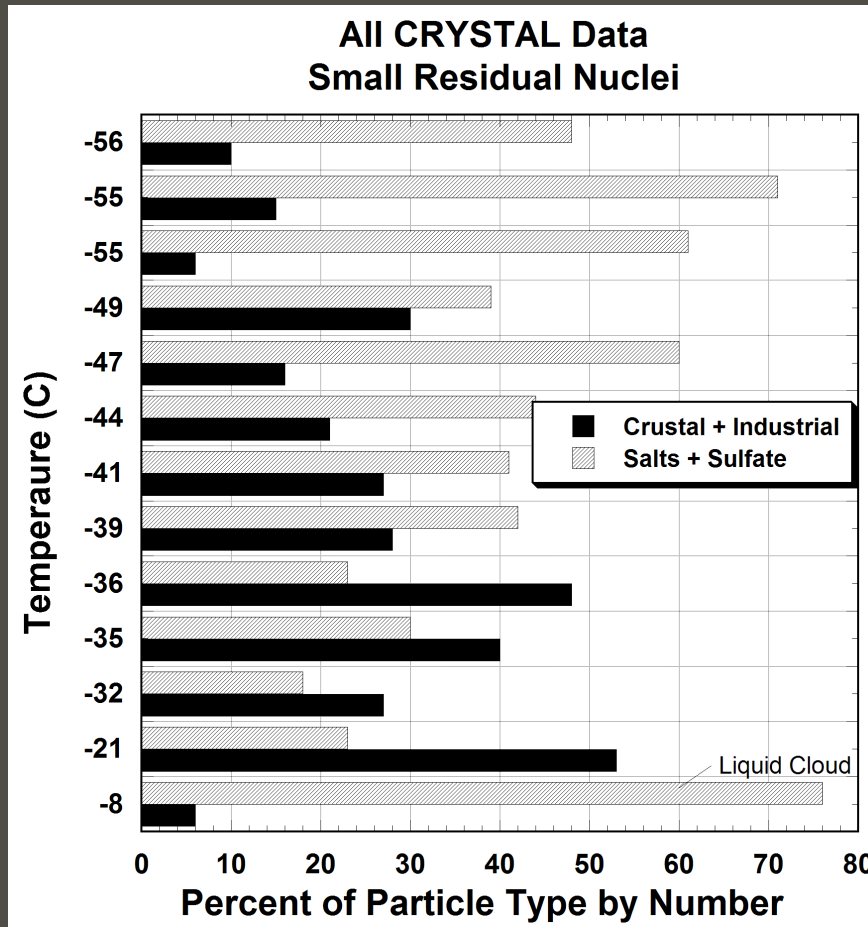


## Basic System

## User Instruments



# Temperature Dependence of Nuclei Types in Anvil Cirrus (electron microscopy)



Twohy and  
Poellot, 2005

# CVI Requirements

- Any disturbance to flow through CVI system may disturb counterflow and so affect quality of all basic and user measurements
- Instruments can go on and off CVI (w/ notice) using valves, but need to operate at fairly steady flow rates during CVI sampling
- These flow rates need to be  $<3$  lpm with analog signal provided continuously to CVI
- Special collaborative data analysis

Thanks!